

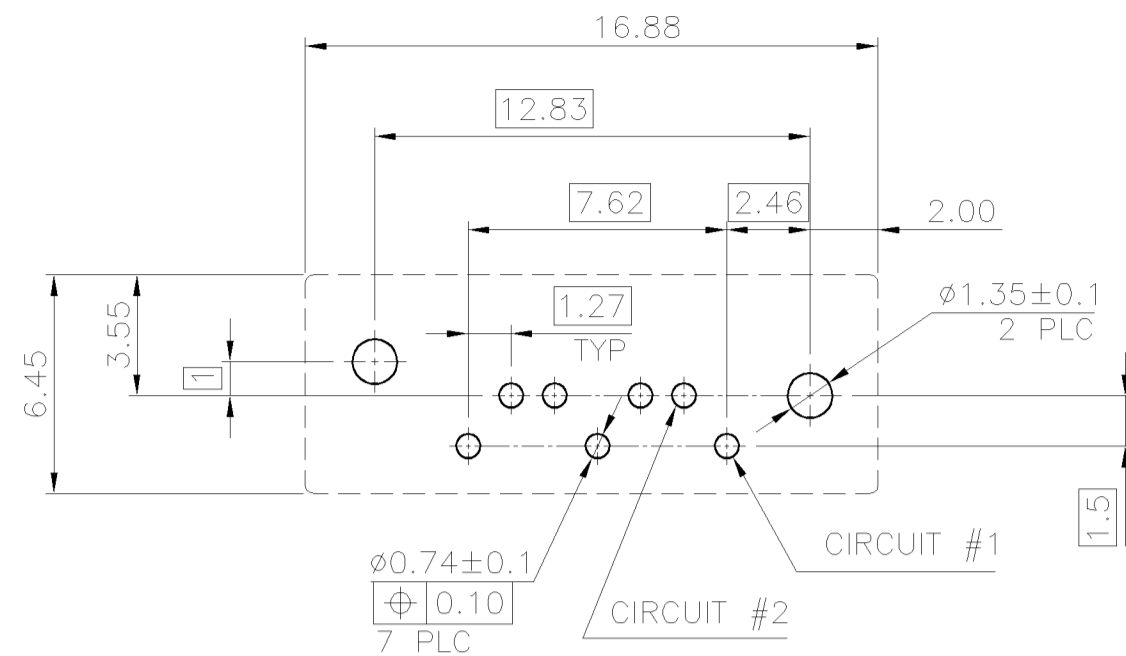
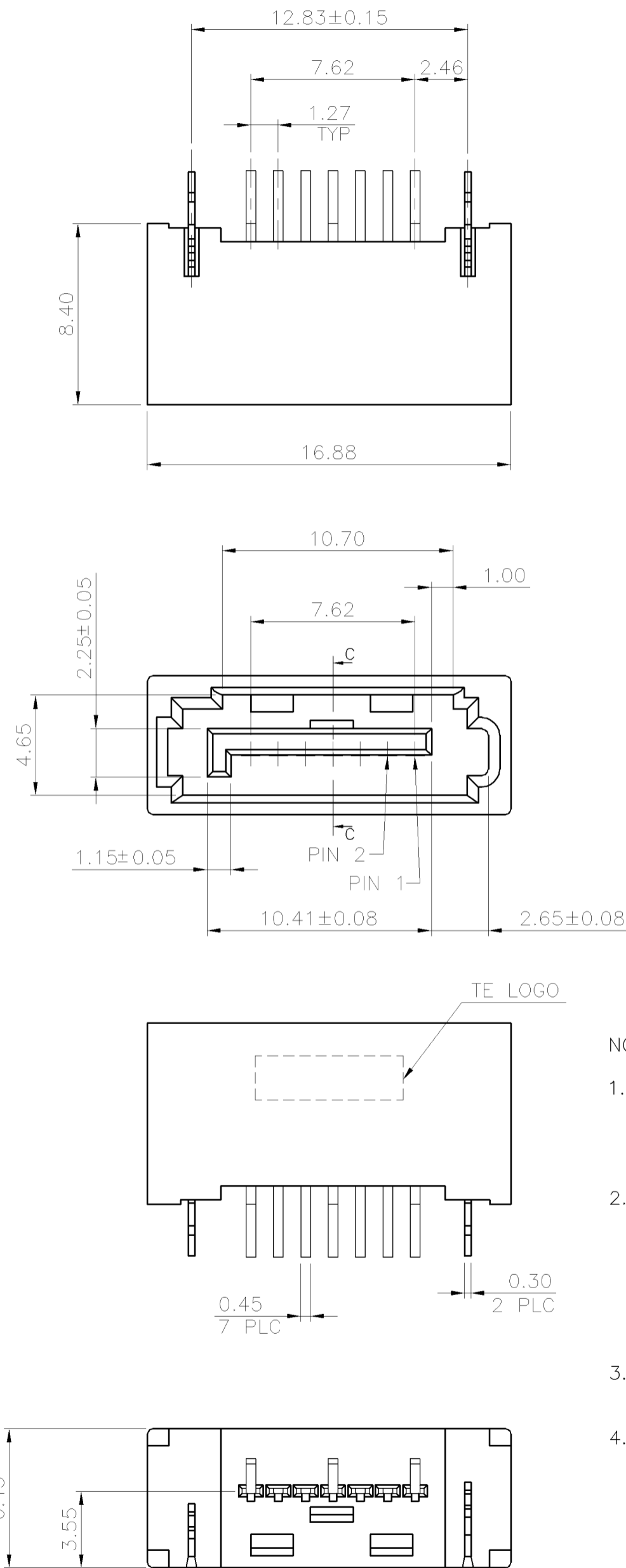
NUMBER
C-1775058

3RD ANGLE PROJECTION

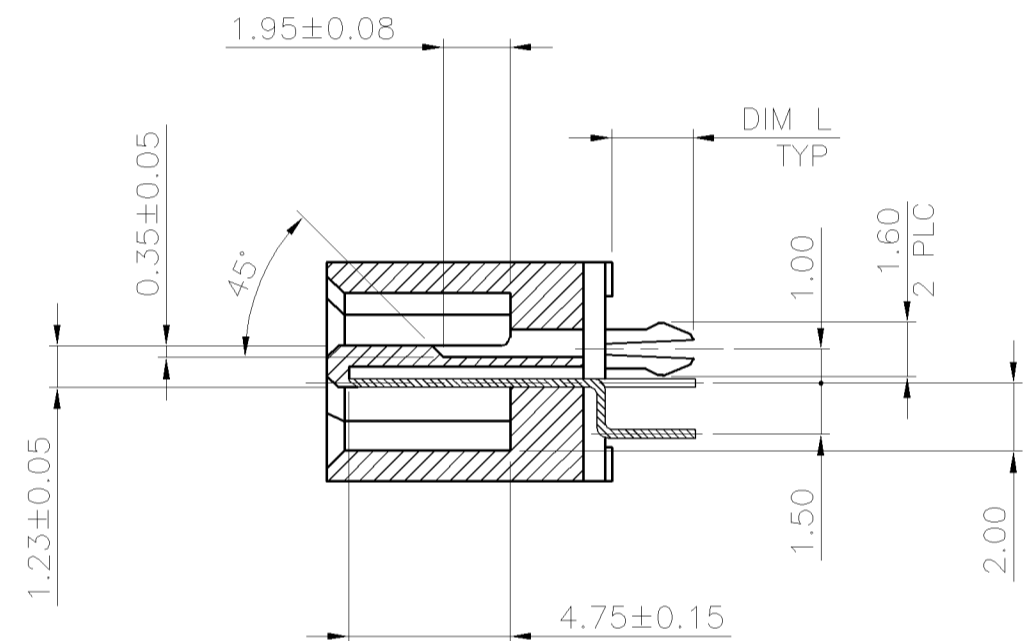
METRIC

THIS INFORMATION IS CONFIDENTIAL AND IS DISCLOSED TO YOU ON CONDITION THAT NO FURTHER DISCLOSURE IS MADE BY YOU TO OTHER THAN AMP PERSONNEL WITHOUT WRITTEN AUTHORIZATION FROM AMP (TAIWAN) LTD. DIMENSIONS IN MILLIMETERS. DO NOT SCALE PRINT.

PRINT
DIST
DW



(THICKNESS: 1.2, TOLERANCE: ±0.05)
RECOMMENDED PCB LAYOUT



SECTION C-C

NOTES:

- MATERIAL:
HOUSING: PA6T UL 94V-0, COLOR: (SEE TABLE)
CONTACT: BRASS.
PEG: BRASS.
- FINISH:
CONTACT: GOLD (SEE TABLE) PLATING ON CONTACT AREA 100μ' MIN. MATTE-TIN PLATING ON SOLDER TAILS 50μ' MIN. NICKEL UNDERPLATING OVER ALL.
PEG: 100μ' MIN. TIN PLATING ON SOLDER TAILS 50μ' MIN. NICKEL UNDERPLATING OVER ALL.
- WAVE SOLDER CAPABLE TO 265°C AS PER TE SPEC. 109-202, CONDITION B.
- NO DATE CODE ON THE PRODUCT.

DIM L	HOUSING COLOR	MIN. GOLD THICKNESS	PART NUMBER
2.05	DARK BLUE (293C)	G/F	4-1775058-4
	WHITE (COOL GRAY 1C)	G/F	4-1775058-3
	BLACK	G/F	4-1775058-2

DIM L	HOUSING COLOR	MIN. GOLD THICKNESS	PART NUMBER
3.30	YELLOW (1235C)	15μ"	4-1775058-1
		G/F	4-1775058-0
	LIGHT BLUE (284C)	15μ"	3-1775058-9
	G/F	3-1775058-8	
	WHITE (7506U)	15μ"	3-1775058-7
	G/F	3-1775058-6	
2.05	RED (208C)	30μ"	3-1775058-5
		15μ"	3-1775058-4
	G/F	3-1775058-3	
3.30	GREEN (339C)	30μ"	3-1775058-2
		15μ"	3-1775058-1
	G/F	3-1775058-0	
3.30	DARKEST BLUE (661C)	30μ"	2-1775058-9
		15μ"	2-1775058-8
	G/F	2-1775058-7	
	BLACK	30μ"	2-1775058-6
	15μ"	2-1775058-5	
	G/F	2-1775058-4	
2.40	GRAY (422U)	30μ"	2-1775058-3
		15μ"	2-1775058-2
	G/F	2-1775058-1	
	DARKEST BLUE (661C)	30μ"	1-1775058-9
	15μ"	1-1775058-8	
	G/F	1-1775058-7	
	ORANGE (157C)	30μ"	1-1775058-6
	15μ"	1-1775058-5	
	G/F	1-1775058-4	
	LIGHT BLUE (284C)	30μ"	1-1775058-3
	15μ"	1-1775058-2	
	G/F	1-1775058-1	
	DARK BLUE (293C)	30μ"	1775058-9
	15μ"	1775058-8	
	G/F	1775058-7	
	WHITE (COOL GRAY 1C)	30μ"	1775058-6
	15μ"	1775058-5	
	G/F	1775058-4	
	BLACK	30μ"	1775058-3
	15μ"	1775058-2	
	G/F	1775058-1	

TOLERANCES UNLESS OTHERWISE SPECIFIED:
0 PLC ±-
1 PLC ±0.3
2 PLC ±0.25
3 PLC ±0.2
ANGLES ±3'

DWN A. WU
05-SEP-2008
CHK S. CHIEN
05-SEP-2008
APVD W. KODAMA
05-SEP-2008
PRODUCT SPEC
108-57469

Tyco Electronics Corporation
Taipi, Taiwan

NAME
SERIAL ATA CONNECTOR,
7 PIN, VERTICAL HEADER,
B TYPE.

MATERIAL
SEE NOTE

FINISH
SEE NOTE

QUALIFICATION TEST REPORT
501-57539
WEIGHT
1 GRAM

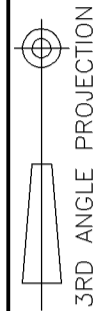
LOC DW	SIZE A ₃	DRAWING NO C-1775058	REV B
SCALE --		SHEET 1 OF 2	

B	ADD PART NUMBERS	ECR-08-026152	AW SC	16OCT 2008
LTR	REVISION RECORD	ECN	DWN CHK	DATE

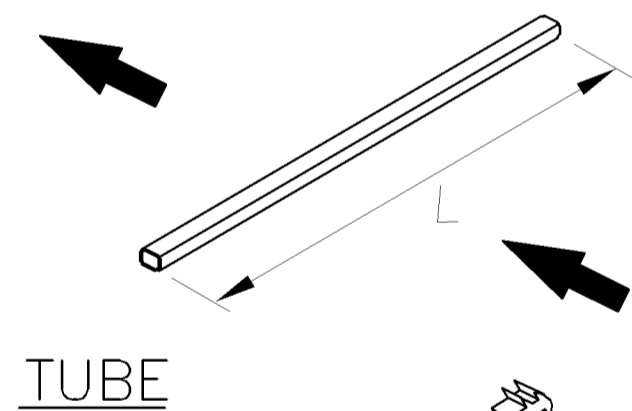
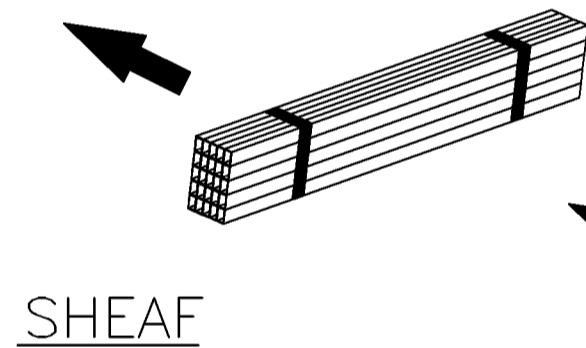
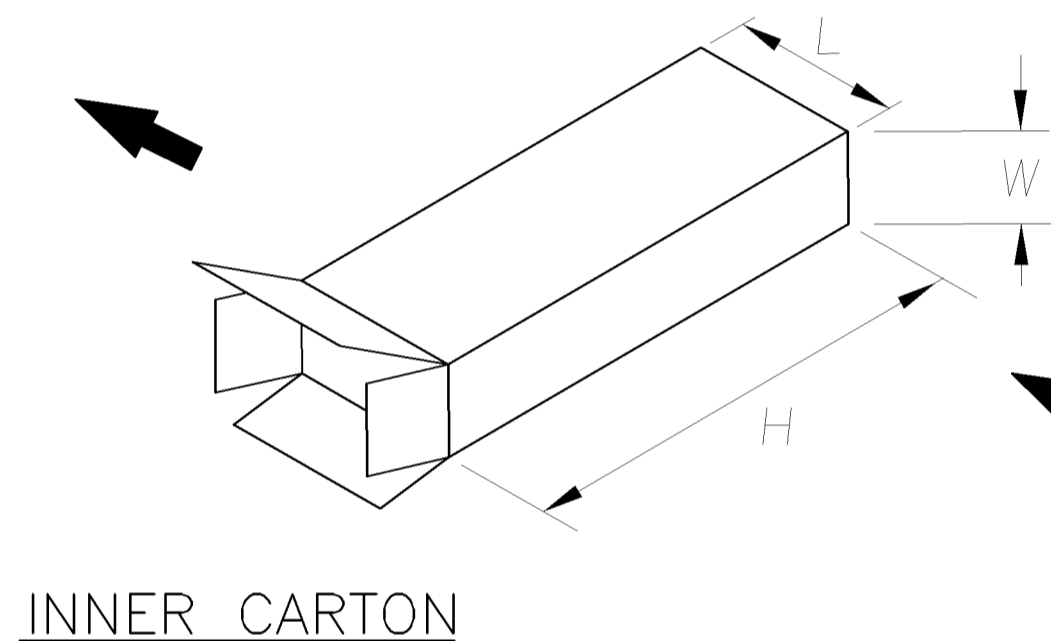
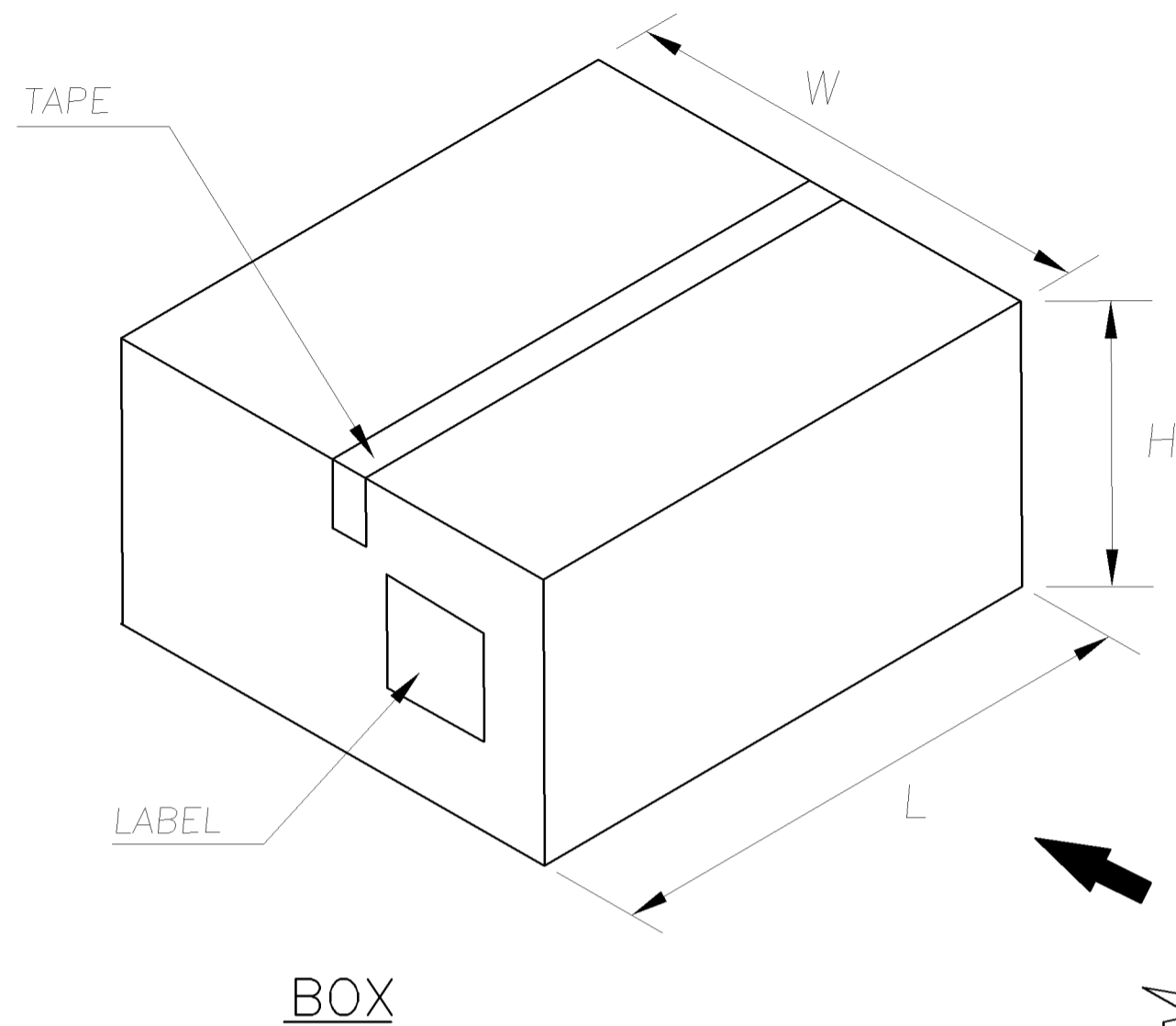
THIS INFORMATION IS CONFIDENTIAL AND IS DISCLOSED TO YOU ON CONDITION THAT NO FURTHER DISCLOSURE IS MADE BY YOU TO OTHER THAN AMP PERSONNEL WITHOUT WRITTEN AUTHORIZATION FROM AMP (TAIWAN) LTD. DIMENSIONS IN MILLIMETERS. DO NOT SCALE PRINT.

PRINT DIST
DW

METRIC



NUMBER
C-1775058



NOTE:

1. DIMENSION:
 TUBE: L= 473, W= 13.4, H= 8.1
 INNER CARTON: L= 485, W= 72, H= 86
 CARTON: L= 500, W= 187, H= 169
2. QUANTITY:
 26 PCS/TUBE
 45 TUBES/SHEAF
 1 SHEAFS/INNER CARTON
 4 INNER CARTONS/CARTON
 4680 PCS/BOX
3. WEIGHT:
 N/W: 4.68 KG
 G/W: 6.68 KG

LTR	SEE SHEET 1.	ECN	DWN	CHK	DATE
	REVISION RECORD				

TOLERANCES UNLESS OTHERWISE SPECIFIED: 0 PLC ±- 1 PLC ±- 2 PLC ±- 3 PLC ±- ANGLES ±-		DWN	A. WU	Tyco Electronics Corporation Tyco Electronics Taipei, Taiwan	
MATERIAL		CHK	S. CHIEN	NAME	
-		APVD	W. KODAMA	SERIAL ATA CONNECTOR, 7 PIN, VERTICAL HEADER, B TYPE.	
FINISH		PRODUCT SPEC	05-SEP-2008	LOC	SIZE
-		APPLICATION SPEC	-	DW	A ₃
		WEIGHT	-	DRAWING NO	REV
				C-1775058	B
				SCALE	SHEET
				--	2 OF 2